



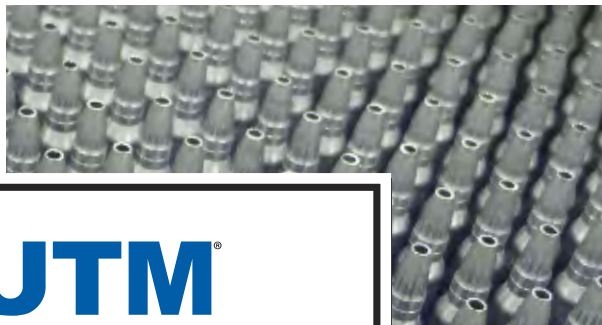
Ultimate Training Munitions

As real as it gets...



TRAINING AMMUNITION | FIREARM CONVERSIONS | PERSONAL PROTECTIVE EQUIPMENT | PORTABLE TRAINING FACILITY

UTMWORLDWIDE.COM



Ultimate Training Munitions

As real as it gets...

More Firearm Conversions
than any Other Manufacturer

Training Ammunition in more Calibers
than any Other Manufacturer

Unsurpassed Reliability and Accuracy

Live Round Lock Out for Ultimate Safety

Personal Protective Equipment,
Portable Training Facility,
and more . . .

TABLE OF CONTENTS

TRAINING AMMUNITION

Man Marking Round (MMR)	page 3-6
Battlefield Blank Round (BBR)	page 7-8
Silent Blank Round (SBR)	page 9-10
Non-Marking Round (NMR)	page 11
UTX® Marking Round	page 12
Target Bullet Round (TBR)	page 13

MAGAZINES

page 14

FIREARM CONVERSIONS

About/Safety Features	page 15
Firearm Conversions	page 16-20

SHOOTING ENTHUSIASTS

page 21-22

PERSONAL PROTECTIVE EQUIPMENT

page 23-26

PORTABLE TRAINING FACILITY

page 27-28

INDEX

page 29

UTM assumes no responsibility for injuries, loss or damage resulting from misuse of any of its products.

When converting back to live-fire ammunition, ensure that the chamber and bore have been cleaned, cleared of all debris, objects or projectiles and inspected before firing a live round. Failure to ensure the barrel is free from obstruction could result in damage to the barrel and/or injury to the operator.



Appropriate hearing and eye protection (safety glasses or goggles) is mandatory

WARNING

KEEP AMMUNITION OUT OF REACH OF CHILDREN



MAN MARKING ROUND (MMR)

Non-Lethal Ammunition for Realistic, Force-on-Force Training

- ▶ The United States Military rated UTM 5.56mm Man Marking Rounds (MMR), both loose and linked, as 99.8% reliable!

PURPOSE:

- For force-on-force, close quarter battles (CQB) and 360 degree shooting
- Adds stress and realism to training
- Provides physical stimulus and visual indication upon “hits”
- Training “As real as it gets” without using live ammunition

FEATURES:

- Wax based color compound marks on glancing hits
- Assortment of marking colors available
- No plastic shavings or bore build up
- Driving band technology for improved accuracy
- Projectiles are resistant to breakage when inserted in a magazine



 UTM MAN MARKING ROUND (MMR)

**TRUSTED WORLDWIDE BY MILITARIES,
LAW ENFORCEMENT AND PROFESSIONALS**

The Man Marking Round (MMR) enables militaries, law enforcement personnel, and professional trainers to conduct the most realistic, non-lethal training possible. Trusted by militaries worldwide, utilized by professionals everywhere, UTM's Man Marking Rounds are extremely accurate, mark on glancing hits, and are sure to surpass expectations. Using your weapon and its accessories makes this the best way to train.

**BENEFITS OF USING UTM'S
FIREARM CONVERSIONS & TRAINING AMMUNITION:**

- Use YOUR firearm and accessories such as lights, lasers and optics
- Consistent velocities
- Unmatched accuracy
- Realistic recoil
- Extremely reliable
- Shoot virtually anywhere, without the need for a live-fire range
- Normal functioning and cycling of the weapon including bolt or slide lock-back
- Matches live-fire cyclic rates
- Minimal fouling of the firearm
- 6 year shelf life on training ammunition
- Lead free options
- Low emissions and minimal environmental impact

► **UTM 5.56mm Man Marking Round**

- Chosen as the sole supplier for United States Military Services for over 10 years

► **The ULTIMATE in Accuracy**

- 5.56mm caliber performs a 1.97" group at 27 yards
- 9mm a 1.97" group at 11 yards



**COMPONENTS OF A
UTM MAN MARKING PROJECTILE**

- 1 An aerodynamic, cruciform dome made of injection molded plastic
- 2 Non-toxic, inert, wax based marking compound
- 3 Inertia applicator ball expels the marking compound even on glancing hits
- 4 Driving band utilizes the barrel's rifling for increased accuracy

PROJECTILE MASS WEIGHT (MMR)				
9mm	UTX®	5.56mm	7.62x39mm	7.62x51mm
6.9gr/0.45g	8.0gr/0.52g	6.9gr/0.45g	8.0gr/0.52g	8.0gr/0.52g



MAN MARKING ROUND (MMR)



NON-TOX

9mm MMR Man Marking Round

- ▶ Velocity: 310fps (95m/sec)
- ▶ Noise Level: Peak 129dB
- ▶ Accuracy: 1.97" at 11yds (50mm at 10m)
- ▶ Standoff Distance: 10" (0.25m)
- ▶ Avg Muzzle Energy: 1.4ft/lbs (1.9 Joules)

RED	BLUE	GREEN	YELLOW
01-0976	01-0977	01-0978	01-0979

9mm SUBMACHINE GUN (SMG) MMR			
RED	BLUE	GREEN	YELLOW
01-0981	01-0982	01-0983	01-0984

5.56mm MMR Man Marking Round

- ▶ Velocity: 375fps (114m/sec)
- ▶ Noise Level: Peak 123dB
- ▶ Accuracy: 1.97" at 27yds (50mm at 25m)
- ▶ Standoff Distance: 30" (0.75m)
- ▶ Avg Muzzle Energy: 2.2ft/lbs (2.9 Joules)

RED	BLUE	GREEN	YELLOW
01-0971	01-0972	01-0973	01-0974



NON-TOX

5.56mm FNC/SIG 551 MMR Man Marking Round

- For use with
FN FNC and SIG 551*
- ▶ Velocity: 375fps (114m/sec)
 - ▶ Noise Level: Peak 123dB
 - ▶ Accuracy: 1.97" at 27yds (50mm at 25m)
 - ▶ Standoff Distance: 30" (0.75m)
 - ▶ Avg Muzzle Energy: 2.2ft/lbs (2.9 Joules)

NON-TOX

RED	BLUE	GREEN	YELLOW
01-0753	01-0754	01-0755	01-0756



5.56mm MMR Man Marking Round

US MILITARY
CONTRACTS
ONLY

LOOSE M1042		
COLOR	NSN	DODIC
BLUE	1305-01-536-5822	AB09
RED	1305-01-536-5827	AB10
YELLOW	1305-01-536-5829	AB11

LINKED M1071		
COLOR	NSN	DODIC
BLUE	1305-01-537-1521	AB16
RED	1305-01-537-1522	AB17
YELLOW	1305-01-536-9289	AB15



.38 Special MMR

Man Marking Round

- ▶ Velocity: 335fps (102m/sec)
- ▶ Noise Level: Peak 132dB
- ▶ Accuracy: 1.97" at 11yds (50mm at 10m)
- ▶ Standoff Distance: 18" (0.5m)
- ▶ Avg Muzzle Energy: 1.7ft/lbs (2.3 Joules)

RED	BLUE
01-0787	01-0788



4.6mm MMR

Man Marking Round

- ▶ Velocity: 335fps (102m/sec)
- ▶ Noise Level: Peak 128dB
- ▶ Accuracy: 1.00" at 11yds (25mm at 10m)
- ▶ Standoff Distance: 18" (0.5m)
- ▶ Avg Muzzle Energy: 1.7ft/lbs (2.3 Joules)

RED	BLUE	GREEN	YELLOW
01-0910	01-0911	01-0912	01-0913



5.7mm MMR

Man Marking Round

- ▶ Velocity: 335fps (102m/sec)
- ▶ Noise Level: Peak 128dB
- ▶ Accuracy:
 - FN Five-seveN: 1.97" at 22yds (50mm at 20m)
 - FN P90: 1.00" at 11yds (25mm at 10m)
- ▶ Standoff Distance: 18" (0.5m)
- ▶ Avg Muzzle Energy: 1.7ft/lbs (2.3 Joules)

RED	BLUE	GREEN	YELLOW
01-0727	01-0728	01-0729	01-0730



5.56mm RVR

Reduced Velocity Round

- ▶ Velocity: 300fps (91m/sec)
- ▶ Noise Level: Peak 126dB
- ▶ Accuracy: 1.97" at 16yds (50mm at 15m)
- ▶ Standoff Distance: 10" (0.25m)
- ▶ Avg Muzzle Energy: 1.4ft/lbs (1.9 Joules)



NON-TOX

IDEAL FOR CQB



RED	BLUE	GREEN	YELLOW
01-0815	01-0816	01-0817	01-0818

5.56mm Linked MMR

Man Marking Round

- ▶ Velocity: 375fps (114m/sec)
- ▶ Noise Level: Peak 123dB
- ▶ Accuracy: 1.97" at 27yds (50mm at 25m)
- ▶ Standoff Distance: 30" (0.75m)
- ▶ Avg Muzzle Energy: 2.2ft/lbs (2.9 Joules)

NON-TOX



*For use with FN M249 (SAW) machine gun

RED	BLUE	GREEN	YELLOW
01-3260	01-3261	01-3262	01-3263

7.62x39mm MMR

Man Marking Round

- ▶ Velocity: 375fps (114m/sec)
- ▶ Noise Level: Peak 131dB
- ▶ Accuracy: 1.97" at 27yds (50mm at 25m)
- ▶ Standoff Distance: 30" (0.75m)
- ▶ Avg Muzzle Energy: 2.2ft/lbs (2.9 Joules)

RED	BLUE	GREEN	YELLOW
01-3067	01-3068	01-3069	01-3070



7.62x51mm MMR

Man Marking Round

- ▶ Velocity: 375fps (114m/sec)
- ▶ Noise Level: Peak 132dB
- ▶ Accuracy: 1.97" at 27yds (50mm at 25m)
- ▶ Standoff Distance: 3ft (1m)
- ▶ Avg Muzzle Energy: 2.5ft/lbs (3.4 Joules)



RED	BLUE	GREEN	YELLOW
01-3063	01-3064	01-3065	01-3066

7.62x51mm Linked MMR

Man Marking Round

- ▶ Velocity: 375fps (114m/sec)
- ▶ Accuracy: 1.97" at 27yds (50mm at 25m)
- ▶ Standoff Distance: 3ft (1m)
- ▶ Avg Muzzle Energy: 2.5ft/lbs (3.4 Joules)



RED	BLUE	GREEN	YELLOW
01-3075	01-3076	01-3077	01-3078

RELATED PRODUCTS



AR15/M16/M4
BLUE MAGAZINE
page 14



HELMET
page 23



BATTLEFIELD BLANK ROUND (BBR)

A Noisy Blank for Safe and Realistic Training

PURPOSE:

- Simulates the sound of gunfire during scenario training such as "active shooter" tactical drills
- Run scenarios and drills without having to gear up
- Introduce new shooters to the handling and operations of a firearm

FEATURES:

- Provides a realistic report or "bang"
- No blank firing adapter (BFA) required
- No heat or flame emitted
- 18" stand-off distance



 **UTM** BATTLEFIELD BLANK ROUND (BBR)

9mm BBR

Battlefield Blank Round

- ▶ Velocity: Not Applicable
- ▶ Noise Level: 148dB
- ▶ Accuracy: Not Applicable
- ▶ Standoff Distance: 18" (0.5m)
- ▶ Avg Muzzle Energy: Not Applicable

NON-TOX

01-3090



9mm UTX® BBR

Battlefield Blank Round

- ▶ Velocity: Not Applicable
- ▶ Noise Level: 148dB
- ▶ Accuracy: Not Applicable
- ▶ Standoff Distance: 18" (0.5m)
- ▶ Avg Muzzle Energy: Not Applicable

NON-TOX

FOR EXISTING CONVERSIONS

01-3131



12 Gauge BBR

Battlefield Blank Round

- ▶ Velocity: Not Applicable
- ▶ Noise Level: 148dB
- ▶ Accuracy: Not Applicable
- ▶ Standoff Distance: 18" (0.5m)
- ▶ Avg Muzzle Energy: Not Applicable

01-0986



5.56mm BBR

Battlefield Blank Round

- ▶ Velocity: Not Applicable
- ▶ Noise Level: 144dB
- ▶ Accuracy: Not Applicable
- ▶ Standoff Distance: 18" (0.5m)
- ▶ Avg Muzzle Energy: Not Applicable

NON-TOX

01-0963



5.56mm LBBR

Loud Battlefield Blank Round

- ▶ Velocity: Not Applicable
- ▶ Noise Level: 151dB
- ▶ Accuracy: Not Applicable
- ▶ Standoff Distance: 18" (0.5m)
- ▶ Avg Muzzle Energy: Not Applicable



NON-TOX

TWICE AS LOUD

01-3268



5.56mm Linked LBBR

Loud Battlefield Blank Round

- ▶ Velocity: Not Applicable
- ▶ Noise Level: 151dB
- ▶ Accuracy: Not Applicable
- ▶ Standoff Distance: 18" (0.5m)
- ▶ Avg Muzzle Energy: Not Applicable



NON-TOX

TWICE AS LOUD

01-3270



7.62x39mm BBR

Battlefield Blank Round

- ▶ Velocity: Not Applicable
- ▶ Noise Level: 150dB
- ▶ Accuracy: Not Applicable
- ▶ Standoff Distance: 18" (0.5m)
- ▶ Avg Muzzle Energy: Not Applicable

01-3093



7.62x51mm BBR

Battlefield Blank Round

- ▶ Velocity: Not Applicable
- ▶ Noise Level: 148dB
- ▶ Accuracy: Not Applicable
- ▶ Standoff Distance: 18" (0.5m)
- ▶ Avg Muzzle Energy: Not Applicable

NON-TOX

01-3271



7.62x51mm Linked BBR

Battlefield Blank Round

- ▶ Velocity: Not Applicable
- ▶ Noise Level: 149dB
- ▶ Accuracy: Not Applicable
- ▶ Standoff Distance: 18" (0.5m)
- ▶ Avg Muzzle Energy: Not Applicable

NON-TOX

01-3272





SILENT BLANK ROUND (SBR)

The Ultimate in Safety, with No Noise or Emissions

PURPOSE:

- Practicing gun retention and weapon take-aways
- CQB in administrative areas
- Replace the red gun for defensive tactics
- Develop shooting fundamentals at home or in the classroom
- Dry fire alternative

FEATURES:

- Safe for contact shots
- No noise or emissions
- Recoil, ejection and slide lock back
- No blank firing adapter (BFA) required
- No hearing protection required

9mm SBR

Silent Blank Round

- ▶ Velocity: Not Applicable
- ▶ Noise Level: 0 (at Muzzle)
- ▶ Accuracy: Not Applicable
- ▶ Standoff Distance: 0" (0m)
- ▶ Avg Muzzle Energy: Not Applicable



5.56mm SBR

Silent Blank Round

- ▶ Velocity: Not Applicable
- ▶ Noise Level: 0 (at Muzzle)
- ▶ Accuracy: Not Applicable
- ▶ Standoff Distance: 0" (0m)
- ▶ Avg Muzzle Energy: Not Applicable



5.56mm Linked SBR

Silent Blank Round

- ▶ Velocity: Not Applicable
- ▶ Noise Level: 0 (at Muzzle)
- ▶ Accuracy: Not Applicable
- ▶ Standoff Distance: 0" (0m)
- ▶ Avg Muzzle Energy: Not Applicable



7.62x39mm SBR

Silent Blank Round

- ▶ Velocity: Not Applicable
- ▶ Noise Level: 0 (at Muzzle)
- ▶ Accuracy: Not Applicable
- ▶ Standoff Distance: 0" (0m)
- ▶ Avg Muzzle Energy: Not Applicable



7.62x51mm SBR

Silent Blank Round

- ▶ Velocity: Not Applicable
- ▶ Noise Level: 0 (at Muzzle)
- ▶ Accuracy: Not Applicable
- ▶ Standoff Distance: 0" (0m)
- ▶ Avg Muzzle Energy: Not Applicable





NON-MARKING ROUND (NMR)

Force-on-Force Training Round with No Marking Compound

PURPOSE:

- A non-marking round designed for force-on-force, close quarter battles (CQB) and 360 degree shooting
- Adds physical stimulus upon “hits”
- Improves accuracy and marksmanship skills

FEATURES:

- Non-marking; ideal for force-on-force training in full uniform or while training with field gear
- Same use as Man Marking Rounds with no clean up



4.6mm NMR

Non-Marking Round

- ▶ Velocity: 335fps (102m/sec)
- ▶ Noise Level: Peak 128dB
- ▶ Accuracy: 1.00" at 11yds (25mm at 10m)
- ▶ Standoff Distance: 18" (0.5m)
- ▶ Avg Muzzle Energy: 1.7ft/lbs (2.3 Joules)

01-3296



5.7mm NMR

Non-Marking Round

- ▶ Velocity: 335fps (102m/sec)
- ▶ Noise Level: 128dB
- ▶ Accuracy: 1.00" at 11yds (25mm at 10m)
- ▶ Standoff Distance: 18" (0.5m)
- ▶ Avg Muzzle Energy: 1.7ft/lbs (2.3 Joules)

NON-TOX

01-3273



9mm NMR

Non-Marking Round

- ▶ Velocity: 310fps (94m/sec)
- ▶ Noise Level: 129dB
- ▶ Accuracy: 1.97" at 11yds (50mm at 10m)
- ▶ Standoff Distance: 10" (0.25m)
- ▶ Avg Muzzle Energy: 1.4ft/lbs (1.9 Joules)

01-3100

NON-TOX



5.56mm NMR

Non-Marking Round

- ▶ Velocity: 375fps (114m/sec)
- ▶ Noise Level: 123dB
- ▶ Accuracy: 1.97" at 27yds (50mm at 25m)
- ▶ Standoff Distance: 30" (0.75m)
- ▶ Avg Muzzle Energy: 2.2ft/lbs (2.9 Joules)

01-3097

NON-TOX





UTM[®] MARKING ROUND

Marking Round for Existing Firearm Conversions

PURPOSE:

- For use with your existing firearm conversion
- For force-on-force, close quarter battles (CQB) and 360 degree shooting

FEATURES:

- No plastic shavings or bore build up
- Driving band technology for improved accuracy
- Inertia ball expels wax-based marking compound even on glancing hits
- Flawless reliability
- Projectiles are resistant to breakage when inserted in a magazine



TRAINING AMMUNITION

UTM[®] MARKING ROUND



9mm UTX[®] Marking Round

- ▶ Velocity: 370fps (113m/sec)
- ▶ Noise Level: 121dB
- ▶ Accuracy: 3.0" at 8.2yds (75mm at 7.5m)
- ▶ Standoff Distance: 12" (0.3m)
- ▶ Avg Muzzle Energy: 2.4ft/lbs (3.3 Joules)

RED	BLUE	GREEN	YELLOW
01-3101	01-3102	01-3103	01-3104



NON-TOX

 UTM[®] MARKING ROUND



TARGET BULLET ROUND (TBR)

Live Fire Alternative for Target Shooting

Not for force-on-force training,
LETHAL (850fps)

PURPOSE:

- For use in live fire shoot house
- Alternative qualifier round

FEATURES:

- Safety Feature: TBRs only fire using a red TBR conversion
- Single round will not penetrate a 3/4" sheet of plywood
- No damage to bullet traps and minimal damage to infrastructures



5.56mm TBR

Target Bullet Round

- ▶ Velocity: 850fps (259m/sec)
- ▶ Noise Level: 134dB
- ▶ Accuracy: 0.98" at 27yds (25mm at 25m)
- ▶ Maximum Effective Range: Approx. 82yds/75m
- ▶ Avg Muzzle Energy: 10.6ft/lbs (14.4 Joules)

01-3125

(5.56mm FNC/SIG 551 TBR)

01-3056

5.56mm Linked TBR

Target Bullet Round

- ▶ Velocity: 850fps (259m/sec)
- ▶ Noise Level: 134dB
- ▶ Accuracy: 0.98" at 27yds (25mm at 25m)
- ▶ Maximum Effective Range: Approx. 82yds/75m
- ▶ Avg Muzzle Energy: 10.6ft/lbs (14.4 Joules)

01-3047





MAGAZINES

Improved Feeding and Safety



Intended for use with MMR and blank rounds

Intended for use with TBR rounds

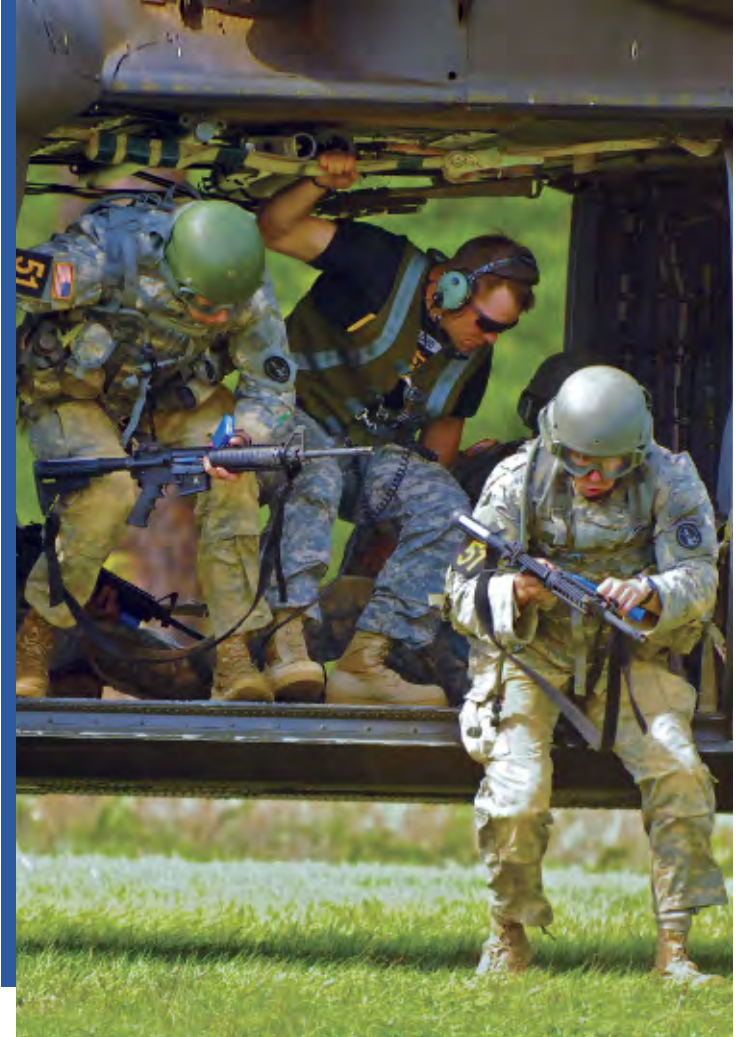
AR15/M16/M4 MAGAZINES

- ▶ 30 Round Capacity (5.56 cal)
- ▶ Provides visual cue that the rifle is in training mode
- ▶ Industrial strength plastic

AR15/M16/M4 BLUE MAGAZINE
02-2815

SCAR BLUE MAGAZINE
02-2825

AR15/M16/M4 RED MAGAZINE
02-2820



M249 SAW DRUM

- ▶ 200 Round Capacity
- ▶ Detachable Lid
- ▶ Solid Polymer Construction

14-0786



MP5 TRAINING MAGAZINE

- ▶ 30 Round Capacity (9mm)
- ▶ Made in Germany
- ▶ UTM Laser Engraved

14-5267



P90 TRAINING MAGAZINE

- ▶ 50 Round Capacity (5.7x28mm)
- ▶ Semi-transparent
- ▶ OEM Spec

01-2489

FIREARM CONVERSIONS

OVER 150 FIREARM CONVERSIONS AVAILABLE

- ▶ Convert YOUR firearm within seconds
- ▶ Live round lock-out or off set firing pin as a safety feature
- ▶ Available for the widest breadth of firearms
- ▶ Tested and proven to be safe and reliable
- ▶ Operates under direct blowback
- ▶ Compatible with existing accessories such as lights, lasers and optics

- RIFLES:**
AR15/M16/M4, AK-47, H&K, SCAR, and many more
- SEMI-AUTO PISTOLS**
- REVOLVERS**
- PUMP SHOTGUNS**
- BULL-PUPS and CARBINES**
- SUBMACHINE GUNS**
- BELT FED MACHINE GUNS**

For video tutorials on how to install a conversion, visit UTM's website:



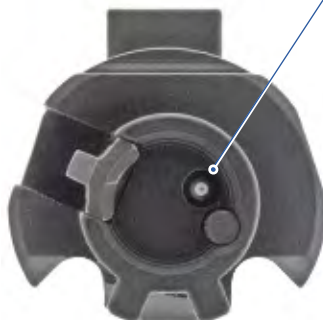
The *ULTIMATE* in *SAFETY* ...

PISTOL CONVERSIONS



UTM pistol conversions won't allow a live round to fully seat into the barrel, leaving the pistol out of battery and impossible to fire.

RIFLE CONVERSIONS



Off set firing pin in UTM rifle conversions discharge only rim-fire rounds; a live, center-fire round will not fire.



A live 5.56mm round that was struck by a UTM rim-fire/off set firing pin, missing the center-fire primer

When an AR15/M4 UTM conversion is installed, the dust cover will not close. This is a visual confirmation that the firearm is safe.



UTM AR15/M4 magazines are shorter than conventional magazines. Blue has become the industry standard for easily identifying a training firearm.





UTM AMMO & CONVERSIONS WORK IN BOTH DI & PISTON AR15/M4s

AR15/M16/M4

AR15/M16/M4 Series MMR/Blank Kit [⌘]	01-2117
AR15/M16/M4 Series MMR/Blank Kit and Magazine [⌘]	01-2845
AR15/M16/M4 Series TBR Kit and Magazine [⌘]	01-2159

[⌘] Semi and full-auto compatible



AR15/M16/M4 SERIES MMR/BLANK KIT AND MAGAZINE
P/N: 01-2845



AR15/M16/M4 SERIES TBR KIT AND MAGAZINE
P/N: 01-2159

- ▶ MMR/Blank Conversions will NOT fire a live or UTM TBR round
- ▶ No gunsmithing
- ▶ One for one bolt carrier group exchange
- ▶ 3mm off set firing pin
- ▶ Blue visual indicator
- ▶ Converts in seconds
- ▶ TBR Conversions will NOT fire a live round
- ▶ Recessed primer on TBR rounds
- ▶ Extended firing pin on TBR bolt
- ▶ 3mm off set firing pin
- ▶ Red visual indicator
- ▶ Not for force-on-force ammunition

CCMCK COMBO KITS



CCMCK M4 KIT

- ▶ M16/M4 MMR/Blank Kit
- ▶ Berry Compliant Face Mask

01-0916



CCMCK M249 KIT

- ▶ M249 SAW MMR/Blank Kit
- ▶ Berry Compliant Face Mask

01-0917



**Nearly 1 in 5 of the 500 Million Firearms Worldwide is an AK-47.
UTM offers the Ultimate Training Solution.**

AK-47 DEDICATED TRAINING FIREARM

- ▶ Will not fire a live round
- ▶ Shoots 7.62x39mm Man Marking Rounds, Silent and Battlefield Blank Rounds
- ▶ Accepts standard AK-47 magazines

AK47 Training Weapon Semi-Auto (UTM supplied)	01-3230
AK47 Training Weapon Fully Auto (UTM supplied)	01-2603
AK47 Customer Supplied Weapon Semi-Auto ^	01-3230CS

*^Inspection of weapon upon receipt will determine if suitable for conversion.
Note: This is a permanent firearm conversion*

BERETTA

Beretta ARX-160 A1/A2 MMR/Blank Kit	01-2865
Beretta CX4 MMR Kit **	01-2740
Beretta 92FS Blank Kit	01-2233
Beretta 92FS MMR Kit	01-2008
Beretta PX4 Blank Kit	01-2770
Beretta PX4 MMR Kit	01-2720

***Requires Universal Insertion Tool, part no. 01-2047*



BERETTA APX MMR KIT
P/N: 01-3610

Beretta APX MMR Kit	01-3610
Beretta APX Blank Kit	01-3640
Beretta APX MMR Barrel Only *	01-3685
Beretta APX Blank Barrel Only *	01-3690

**A slide will be required for operation of barrel only kits.*



Colt SMG Blank Kit	01-2950
Colt SMG MMR Kit **	01-2072

***Requires Universal Insertion Tool, part no. 01-2047*



FN HERSTAL

FN Browning HP 9mm Blank Kit	01-2236
FN Browning HP 9mm MMR Kit	01-2452
FN Five-seveN MMR Kit	01-2400
FN M240 MMR/Blank Kit	01-2885
FN M249 MMR/Blank Kit	01-2010
FN M249 TBR Kit	01-2183
FN 7.62 Minimi MMR/Blank Kit	01-2900
FN SCAR MK16 MMR/Blank Bolt Only	01-2550
FN SCAR MK16 MMR/Blank Kit	01-2767
FN SCAR MK16 TBR Kit	01-3590
FN SCAR MK17 MMR/Blank Bolt Only*	01-2766
FN SCAR MK17 MMR/Blank Kit*	01-2760
FN SCAR MK17 TBR Bolt Only*	01-2792
FN SCAR MK17 TBR Kit*	01-2791
FN P90 MMR Kit (requires 01-2075)	01-2074
FN P90 Insertion Tool	01-2075

**FN SCAR MK17 must be fitted with 5.56mm FN Conversion Kit (Purchased separately from FN)*



GLOCK 22/31 MMR KIT
P/N: 01-2549

Over 60% of ALL US Law Enforcement Officers carry a Glock. UTM offers the Training Solution for the most popular Glock models!



Glock 17 Gen 1-4 Blank Kit	01-2374
Glock 17 Gen 1-4 MMR Kit	01-2373
Glock 17 Gen 5 MMR Kit	01-3600
Glock 17 Gen 5 Blank Kit	01-3680
Glock 17 Gen 5 MMR Barrel Only *	01-3645
Glock 17 Gen 5 Blank Barrel Only *	01-3650
Glock 17/22/31 Blank Barrel Only *	01-2546
Glock 17/22/31 MMR Barrel Only *	01-2543
Glock 17T Gen 1-3 Blank Kit	01-2265
Glock 17T Gen 1-3 MMR Kit	01-2041
Glock 17T Gen 4 Blank Kit	01-3225
Glock 17T Gen 4 MMR Kit	01-3220
Glock 19/23 Blank Barrel Only *	01-2708
Glock 19/23 MMR Barrel Only *	01-2707
Glock 19 Blank Kit	01-2782
Glock 19 MMR Kit	01-2709
Glock 23 Blank Kit	01-2872
Glock 23 MMR Kit	01-2871
Glock 22/31 Blank Kit	01-2377
Glock 22/31 MMR Kit	01-2549

*A slide will be required for operation of barrel only kits.



H&K G36 MMR/Blank Kit	01-2120
H&K G36 TBR Kit	01-2197
H&K MP5 Blank Kit	01-2211
H&K MP5 MMR Kit **	01-2013
H&K MP5 SD Blank Kit	01-2275
H&K MP5 SD MMR Kit	01-2274
H&K MP5K MMR Kit **	01-2171
H&K P2000 9mm Blank Kit	01-2271
H&K P2000 9mm MMR Kit	01-2006
H&K P30 Blank Kit	01-2710
H&K P30 MMR Kit	01-2700
H&K USP 9mm Blank Kit	01-2208
H&K USP 9mm MMR Kit	01-2001
H&K USP Compact 9mm Blank Kit	01-2268
H&K USP Compact 9mm MMR Kit	01-2004
H&K 416 MMR/Blank Kit	01-2913
H&K 416 TBR Kit	01-2920
H&K 417 MMR/Blank Kit	01-2786
H&K UMP Blank Kit	01-2830
H&K UMP MMR Kit	01-2470

**Requires Universal Insertion Tool, part no. 01-2047



H&K VP9/SFP 9mm MMR KIT
P/N: 01-3655

H&K VP9/SFP 9mm MMR Kit	01-3655
H&K VP9/SFP 9mm Blank Kit	01-3665
H&K VP9/SFP 9mm MMR Barrel Only *	01-3670
H&K VP9/SFP 9mm Blank Barrel Only *	01-3675

*A slide will be required for operation of barrel only kits.



Tavor MMR/Blank Kit	01-2884
---------------------	---------

SHOTGUN

Shotgun, 12 Gauge, Blank Kit [~]	01-2895
---	---------

[~]Pump action shotguns only.

NOTE: Unless otherwise stated, all UTM Pistol Conversions listed are compatible with 9mm weapon systems only



UTM is proud to supply the US Army Modular Handgun Training Solution



SIG SAUER P320 PISTOL CONVERSIONS

SIG Sauer P320 Compact/Carry 9mm Blank Kit	01-3293
SIG Sauer P320 Compact/Carry 9mm MMR Kit	01-3236
SIG Sauer P320 Compact .40 Blank Kit	01-3435
SIG Sauer P320 Compact .40 MMR Kit	01-3380
SIG Sauer P320 Carry .40 Blank Kit	01-3405
SIG Sauer P320 Carry .40 MMR Kit	01-3400
SIG Sauer P320 Full .40 Blank Kit	01-3430
SIG Sauer P320 Full .40 MMR Kit	01-3390



*SIG SAUER P320 COMPACT/CARRY 9MM MMR KIT
P/N: 01-3236*

SIG Sauer P320 Full 9mm Blank Kit	01-3305
SIG Sauer P320 Full 9mm MMR Kit	01-3312
SIG Sauer P320 MMR Barrel Only *	01-3311
SIG Sauer P320 Blank Barrel Only *	01-3310

*A current generation UTM slide will be required for operation of barrel only kits.



*SIG SAUER MCX MMR/BLANK KIT
P/N: 01-3251*

SIG SAUER PISTOL CONVERSIONS

SIG Sauer P226 .40/.357 Blank Kit	01-2841
SIG Sauer P226 .40/.357 MMR Kit	01-2858
SIG Sauer P226 9mm Blank Kit	01-2421
SIG Sauer P226 9mm MMR Kit	01-2411
SIG Sauer P228/P229 9mm Blank Kit	01-2245
SIG Sauer P228/P229 9mm MMR Kit	01-2166
SIG Sauer P229 E2 9mm Blank Kit	01-3215
SIG Sauer P229 E2 9mm MMR Kit	01-3211
SIG Sauer P229 .40/.357 Blank Kit	01-2914
SIG Sauer P229 .40/.357 MMR Kit	01-2814
SIG Sauer SP2022 FoF 9mm Blank Kit	01-2368
SIG Sauer SP2022 FoF 9mm MMR Kit	01-2358
SIG Sauer SP2022 PRO 9mm Blank Kit	01-2251
SIG Sauer SP2022 PRO 9mm MMR Kit	01-2177

SIG SAUER RIFLE CONVERSIONS

SIG Sauer MCX MMR/Blank Kit	01-3251
SIG Sauer 516 MMR/Blank Kit	01-2923
SIG Sauer 516 TBR Kit	01-2930
SIG Sauer 551/553 MMR/Blank Kit	01-2328
SIG Sauer 551/553 TBR Kit	01-2338
SIG Sauer 552 MMR/Blank Kit	01-2174
SIG Sauer 552 TBR Kit	01-2204
SIG Sauer MPX MMR Kit	01-3420
SIG Sauer MPX Blank Kit	01-3425



SMITH & WESSON M&P 9MM BLANK KIT
P/N: 01-2777



S&W .38 Special MMR Kit	01-2257
S&W M&P .40 Blank Kit	01-2773
S&W M&P .40 MMR Kit	01-2776
S&W M&P 9mm Blank Kit	01-2777
S&W M&P 9mm Blank Barrel Only *	01-2778
S&W M&P 9mm MMR Kit	01-2774
S&W M&P 9mm MMR Barrel Only *	01-2775

*A slide will be required for operation of barrel only kits.



STEYR AUG RH KIT
P/N: 01-2063



Steyr Aug Barrel Only	01-2624
Steyr Aug LH Kit	01-2620
Steyr Aug LH MMR/Blank Bolt Only	01-2625
Steyr Aug RH Kit	01-2063
Steyr Aug RH MMR/Blank Bolt Only	01-2623



SAR21 MMR/Blank Kit	01-2492
---------------------	---------



SMITH & WESSON M&P 9MM MMR KIT
P/N: 01-2774

UTM offers an array of Training Solutions for the ergonomic, Smith & Wesson M&P line.



Walther P99Q Blank Kit	01-2394
Walther P99Q Blank Barrel Only *	01-2395
Walther P99Q MMR Kit	01-2364
Walther P99Q MMR Barrel Only *	01-2365

*A slide will be required for operation of barrel only kits.

INSERTION TOOL

Universal Insertion Tool #	01-2047
----------------------------	---------

#Brass insertion tool for inserting barrel sleeve into barrel

NOTE: Unless otherwise stated, all UTM Pistol Conversions listed are compatible with 9mm weapon systems only



LIVE FIRE EXPERIENCE,
WITHOUT THE LIVE FIRE RANGE™



SHOOTING ENTHUSIASTS

For Target Shooting and Personal Protection Training



NON-TOX

01-3123

9mm Target Shooting Ammunition

- ▶ For use in 9mm/.40/.357 pistols
- ▶ No need for a live fire range
- ▶ Non-toxic and environment friendly
- ▶ Ideal for concealed carry training
- ▶ Realistic function and recoil, low noise; great for new shooters



NON-TOX

01-3099

5.56/.223 Target Shooting Ammunition

- ▶ Perfect for your AR15/M4 UTM conversion
- ▶ No need for a live fire range
- ▶ Shoot at home or in your yard
- ▶ Non-toxic and environment friendly
- ▶ Realistic function and recoil, low noise; great for new shooters

AR-15 CONVERSION



- ▶ AR-15/M4 Firearm Conversion (.,223/5.56 caliber)

01-2523

FIREARM CONVERSIONS

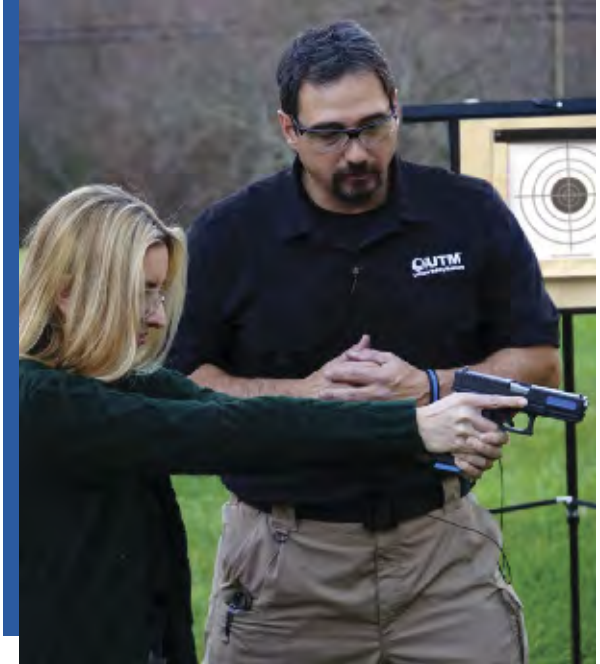
10 Round Magazine (AR-15)	14-5218
Beretta 92FS Kit	01-2988
Glock 17 Conversion	01-2978
H&K USP Compact Conversion	01-2983
SIG Sauer MCX Conversion	01-3505
SIG Sauer P226 9mm Conversion	01-2994
SIG Sauer P228/P229 9mm Conversion	01-2993
SIG Sauer P229 9mm Conversion (E2)	01-3410
SIG Sauer P320 Compact/Carry 9mm Conversion	01-3500



AR-15 BASIC SHOOTING KIT

- ▶ AR-15/M4 firearm conversion (.,223/5.56 caliber)
- ▶ 10 round magazine
- ▶ .223/5.56 UTM Target Ammunition
- ▶ UTM projectile puller

01-2519



SHOOTING ENTHUSIASTS



TARGET & HOLDER KIT

- ▶ Portable, 20" x 20" nylon target holder
- ▶ Accommodates UTM 11.5" replaceable targets
- ▶ Stops all UTM projectile rounds other than TBR
- ▶ Target size: 11.5" x 11.5"

01-3209



AR-15 TARGET SHOOTING KIT

- ▶ AR-15/M4 firearm conversion (.,223/5.56 caliber)
- ▶ 10 round magazine
- ▶ .223/5.56 UTM Target Ammunition
- ▶ UTM Target and Holder Kit
- ▶ Cleaning kit and projectile puller

01-2599

REPLACEMENT TARGETS

01-2669



PERSONAL PROTECTIVE EQUIPMENT (PPE)

The Ultimate in Force-on-Force Protective Equipment



CCMCK
US MILITARY
APPROVED



HELMET

- ▶ 180 degree visibility
- ▶ Ventilation ports to aid in anti-fogging
- ▶ Includes sweatband and neck wraps
- ▶ Passes the high velocity impact tests of ANSI/ISEA Z87.1-2015

- ▶ Ability to see and read facial expressions
- ▶ Face shield flips up for debriefing
- ▶ Magnetic closure system for easy on/off
- ▶ Can be worn with eyewear or sunglasses

REPLACEMENT PARTS

HELMET
69-HELMET-BLACK

HELMET NECK WRAP KIT	HELMET FACE SHIELD	HELMET KNOBS
501020	65006	501019



TRAINING HELMET

- ▶ Solid one-piece, non-reflective plastic helmet
- ▶ NLTA ballistic protection against all UTM rounds
- ▶ Forehead band adjusts over 4" to fit various head sizes
- ▶ Inner padded suspension allows for a free-floating helmet
- ▶ Easy to find and operate chin strap release

69-0336

FACE MASKS

- ▶ For use with ballistic helmets
- ▶ Ventilation ports to aid in anti-fogging

- ▶ Thick Neoprene for maximum protection
- ▶ Optional Berry Compliant

CHIN STRAP EXTENDER

01-2669



FACE MASK	
69-0304N	69-0304 [□]

[□] Berry Compliant and CCMCK US Military Approved



FACE MASK W/ INTEGRATED GOGGLES	
69-0590N	69-0590 [□]

[□] Berry Compliant and CCMCK US Military Approved
- Passes the high velocity impact tests of ANSI/ISEA Z87.1-2015

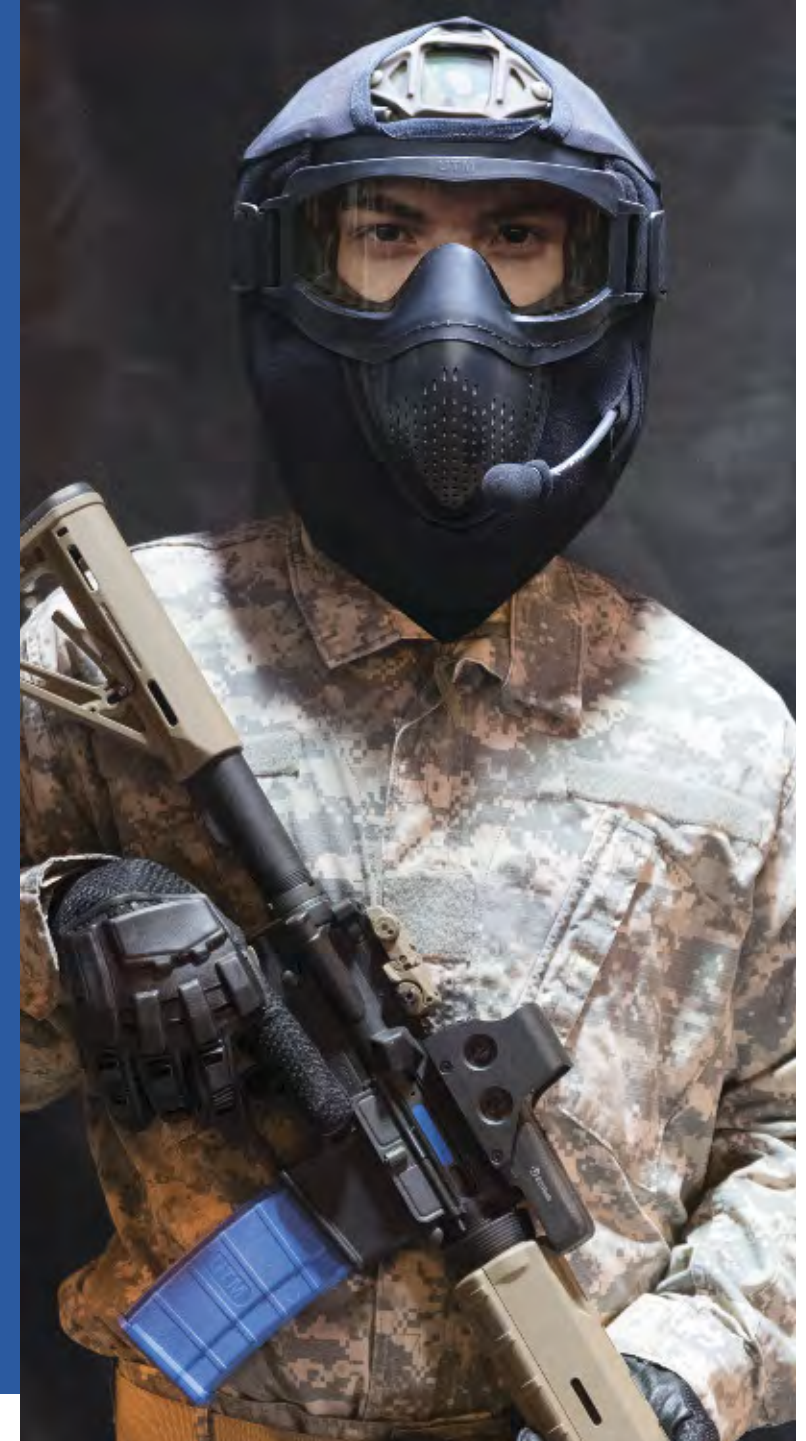
FACE MASK FOR HIGH CUT COMBAT HELMET



- ▶ Designed for elite military and law enforcement professionals
- ▶ For use with high-cut style communication helmets
- ▶ Right and left microphone outlets
- ▶ Won't interfere with night vision optic shrouds
- ▶ Hook-n-loop top to assure no exposed skin between integrated goggles and helmet
- ▶ Ventilation ports to aid in anti-fogging
- ▶ Passes the high velocity impact tests of ANSI/ISEA Z87.1-2015
- ▶ Sewn in goggles to avoid gaps
- ▶ Thick Neoprene for maximum protection
- ▶ Berry Compliant

69-0595

(Microphone and helmet shown for illustration; not included)



UTM'S PPE APPAREL has been vigorously tested to meet the highest of standards. Full body, non-lethal training ammunition ballistic protection with performance, comfort and mobility!

FULL
MOVEMENT,
FULL
PROTECTION

- ▶ Breathable, nylon mesh
- ▶ Impact absorbing cushioning in high hit areas
- ▶ Multitude of carrying pockets
- ▶ Hook and loop fastener sides allow for a wide range of sizes

LAW ENFORCEMENT JACKET NAVY

Law Enforcement Jacket includes a hook and loop "Police" and UTM patch. The jacket is designed for easy access to a duty belt and side arm.

SHORTER FOR
EASY ACCESS TO
DUTY BELT



LAW ENFORCEMENT JACKET NAVY	
MED/LARGE	LARGE/X-LARGE
69-LEJKT-NV-M/L	69-LEJKT-NV-L/XL

ROLE PLAYER JACKET TAN

UTM's Role Player Jacket Tan is longer in length and includes two team identifier vests.

RED & GREEN
TEAM VESTS
INCLUDED



ROLE PLAYER JACKET TAN	
MED/LARGE	LARGE/X-LARGE
69-RPJKT-TAN-M/L	69-RPJKT-TAN-L/XL

Jackets contain multiple pockets for carrying spare magazines and secondary weapons.

Opening in collar accommodates hydration pack drinking tube, mouthpiece holder in front.

(Jackets shown with magazines and handgun to show use of pockets; items not included)



GROIN PROTECTOR

- ▶ Padded mesh
- ▶ Center strap secures to back of belt to keep protector in place

69-GP-BLACKN	69-GP-BLACK [□]
--------------	--------------------------

[□] Berry Compliant



LEGGINGS W/ GROIN PROTECTOR

- ▶ Adjustable fit to various leg sizes
- ▶ Includes integrated, padded groin protector
- ▶ Two large front pockets

69-LEG-BLACK



PROTECTIVE GLOVES

- ▶ Polymer armored and nylon mesh to provide maximum comfort and protection
- ▶ Reinforced palms made of genuine leather for excellent grip and longevity

MEDIUM	LARGE	X-LARGE
69-0310-M	69-0310-L	69-0310-XL



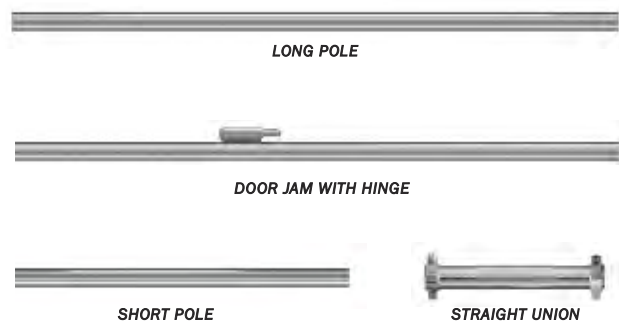
PORTABLE TRAINING FACILITY (PTF)

A Portable, Versatile and Easy to Set Up Training Facility

PORTABLE TRAINING FACILITY (PTF)



Lightweight, yet durable aluminum components are fully connectable.



UTM'S Portable Training Facility stores conveniently in roomy, ergonomic travel bags.



UTM's exclusive Portable Training Facility (PTF), is engineered to be the most versatile, portable shoot house available.

- ▶ Unlimited configurations
- ▶ Quick, easy set up and disassembly
- ▶ Average set up less than one hour with two people
- ▶ Break the typical floor plan memorization
- ▶ Generously mapped with hook and loop fasteners for joining walls, attaching roofs, windows, or hanging targets
- ▶ Transparent and/or shoot through windows
- ▶ Optional ceiling package available for low light training and/or better containment of projectiles

Can be used in a variety of training programs including door entry, hallways, cover management, cornering, UTM firearm range drills and much more.

PTF Package Contains:

- ▶ 12 Solid Wall Panels (8'x8')
- ▶ 20 Right Angle, 20 Five-Way Unions, 36 Straight Unions, 8 Short and 82 Long Poles
- ▶ 2 Functioning, Hinged Doors
- ▶ 2 Window/Door Panels*
- ▶ 2 Transparent Window Panels
- ▶ 4 Hook and Loop Fastener Lined, Large Target Holders
- ▶ 100 Bungee Cords for Securing Panels to Framing
- ▶ 23 Slip-on Rubber Feet
- ▶ 50 Hold-down Stakes
- ▶ 5 Travel/Storage Duffel Bags

*Window/door panels can also create open, shoot through windows

PTF CEILING PACKAGE	PTF CEILING PACKAGE BC
PTF11CPNLP6	PTF11CPNLP6-B [□]

[□] Berry Compliant

PORTABLE TRAINING FACILITY	PORTABLE TRAINING FACILITY BC
PTF-TAN	PTF-TAN-B [□]

[□] Berry Compliant

01-0727	page 6
01-0728	page 6
01-0729	page 6
01-0730	page 6
01-0753	page 5
01-0754	page 5
01-0755	page 5
01-0756	page 5
01-0770	page 10
01-0787	page 6
01-0788	page 6
01-0815	page 6
01-0816	page 6
01-0817	page 6
01-0818	page 6
01-0856	page 10
01-0910	page 6
01-0911	page 6
01-0912	page 6
01-0913	page 6
01-0916	page 16
01-0917	page 16
01-0963	page 8
01-0971	page 5
01-0972	page 5
01-0973	page 5
01-0974	page 5
01-0976	page 5
01-0977	page 5
01-0978	page 5
01-0979	page 5
01-0981	page 5
01-0982	page 5
01-0983	page 5
01-0984	page 5
01-0986	page 8
01-2001	page 18
01-2004	page 18
01-2006	page 18
01-2008	page 17
01-2010	page 17
01-2013	page 18
01-2041	page 18

01-2047	page 20
01-2063	page 20
01-2072	page 17
01-2074	page 17
01-2075	page 17
01-2117	page 16
01-2120	page 18
01-2159	page 16
01-2166	page 19
01-2171	page 18
01-2174	page 19
01-2177	page 19
01-2183	page 17
01-2197	page 18
01-2204	page 19
01-2208	page 18
01-2211	page 18
01-2233	page 17
01-2236	page 17
01-2245	page 19
01-2251	page 19
01-2257	page 20
01-2265	page 18
01-2268	page 18
01-2271	page 18
01-2274	page 18
01-2275	page 18
01-2328	page 19
01-2338	page 19
01-2358	page 19
01-2364	page 20
01-2365	page 20
01-2368	page 19
01-2373	page 18
01-2374	page 18
01-2377	page 18
01-2394	page 20
01-2395	page 20
01-2400	page 17
01-2411	page 19
01-2421	page 19
01-2452	page 17
01-2470	page 18

01-2489	page 14
01-2492	page 20
01-2519	page 22
01-2523	page 22
01-2543	page 18
01-2546	page 18
01-2549	page 18
01-2550	page 17
01-2599	page 22
01-2603	page 17
01-2620	page 20
01-2623	page 20
01-2624	page 20
01-2625	page 20
01-2669	page 22
01-2700	page 18
01-2707	page 18
01-2708	page 18
01-2709	page 18
01-2710	page 18
01-2720	page 17
01-2740	page 17
01-2760	page 17
01-2766	page 17
01-2767	page 17
01-2770	page 17
01-2773	page 20
01-2774	page 20
01-2775	page 20
01-2776	page 20
01-2777	page 20
01-2778	page 20
01-2782	page 18
01-2786	page 18
01-2791	page 17
01-2792	page 17
01-2814	page 19
01-2830	page 18
01-2841	page 19
01-2845	page 16
01-2858	page 19
01-2865	page 17
01-2871	page 18

01-2872	page 18
01-2884	page 18
01-2885	page 17
01-2895	page 18
01-2900	page 17
01-2913	page 18
01-2914	page 19
01-2920	page 18
01-2923	page 19
01-2930	page 19
01-2950	page 17
01-2978	page 22
01-2983	page 22
01-2988	page 22
01-2993	page 22
01-2994	page 22
01-3047	page 13
01-3056	page 13
01-3063	page 6
01-3064	page 6
01-3065	page 6
01-3066	page 6
01-3067	page 6
01-3068	page 6
01-3069	page 6
01-3070	page 6
01-3075	page 6
01-3076	page 6
01-3077	page 6
01-3078	page 6
01-3089	page 10
01-3090	page 8
01-3093	page 8
01-3095	page 10
01-3096	page 10
01-3097	page 11
01-3099	page 21
01-3100	page 11
01-3101	page 12
01-3102	page 12
01-3103	page 12
01-3104	page 12
01-3123	page 21

01-3125	page 13
01-3131	page 8
01-3209	page 22
01-3211	page 19
01-3215	page 19
01-3220	page 18
01-3225	page 18
01-3230	page 17
01-3230CS	page 17
01-3236	page 19
01-3251	page 19
01-3260	page 6
01-3261	page 6
01-3262	page 6
01-3263	page 6
01-3268	page 8
01-3270	page 8
01-3271	page 8
01-3272	page 8
01-3273	page 11
01-3293	page 19
01-3296	page 11
01-3305	page 19
01-3306	page 19
01-3307	page 19
01-3310	page 19
01-3311	page 19
01-3312	page 19
01-3380	page 19
01-3390	page 19
01-3400	page 19
01-3405	page 19
01-3410	page 22
01-3420	page 19
01-3425	page 19
01-3430	page 19
01-3435	page 19
01-3500	page 22
01-3505	page 22
01-3590	page 17
01-3600	page 18
01-3610	page 17
01-3640	page 18

01-3645	page 18
01-3650	page 18
01-3655	page 18
01-3665	page 18
01-3670	page 18
01-3675	page 18
01-3680	page 17
01-3685	page 17
01-3690	page 17
02-2815	page 14
02-2820	page 14
02-2825	page 14
14-0786	page 14
14-5218	page 22
14-5267	page 14
501019	page 23
501020	page 23
65006	page 23
69-0304	page 24
69-0304N	page 24
69-0310-L	page 26
69-0310-M	page 26
69-0310-XL	page 26
69-0336	page 23
69-0590	page 24
69-0590N	page 24
69-0591	page 24
69-0595	page 24
69-GP-BLACK	page 26
69-GP-BLACKN	page 26
69-HELMET-BLACK	page 23
69-LEG-BLACK	page 26
69-LEJKT-NV-L/XL	page 25
69-LEJKT-NV-M/L	page 25
69-RPJKT-TAN-L/XL	page 25
69-RPJKT-TAN-M/L	page 25
PTF11CPNLP6	page 28
PTF11CPNLP6-B	page 28
PTF-TAN	page 28
PTF-TAN-B	page 28



Beretta® and the various Beretta model designations are registered trademarks of Beretta U.S.A. Corp. Colt® and the various Colt model designations are registered trademarks of Colt's Manufacturing Company, LLC.

Sig Sauer® and the various Sig Sauer model designations are registered trademarks of Sig Sauer, Inc. H&K® and the various H&K model designations are registered trademarks of Heckler & Koch, Inc. Glock® and the various Glock model designations are registered trademarks of Glock, Inc.

FN Herstal® and Browning® and the various model designations are registered trademarks of FN Herstal S.A. and Browning International S.A.

Smith & Wesson® and the various Smith & Wesson model designations are registered trademarks of Smith & Wesson Corp.

Walther® and the various Walther model designations are registered trademarks of Walther Arms, Inc. Steyr® and the various Steyr model designations are registered trademarks of Steyr Arms, Inc.

ST Kinetics® and the various model designations are registered trademarks of Singapore Technologies Engineering Ltd.

Tavor® and the various model designations are registered trademarks of IWI US, Inc.



UTM makes no claim to any rights in those marks.

© 2018 UTM Limited

CMJ

C&M JELER
www.lasershot.ro
+40 264 232 930
+40 729 128 982
vanzari@lasershot.ro



As real as it gets...

 **UTM**[®]
Ultimate Training Munitions

55 Readington Road
North Branch, New Jersey 08876
United States of America
(908) 725-9000 | (877) 886-7233
sales@UTMusa.com

1555 North Central Ave
Brownsville, Texas 78521

141 Rodeo Drive
Edgewood, New York 11717

Hampstead Avenue
Mildenhall, Suffolk, IP28 7AS
International
+44 1638 711003
sales@UTMworldwide.com